

Figure 1: FC20 Flow Conditioner Dimensions

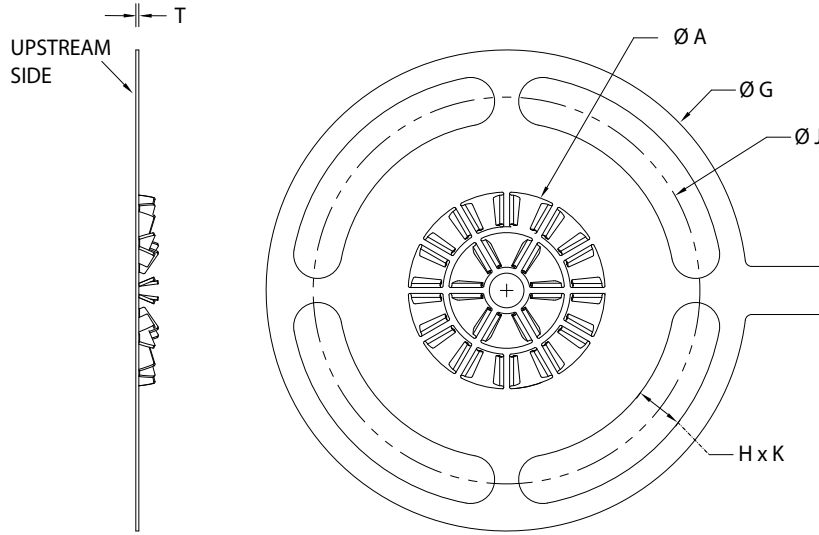


Table 1: FC20 Part Numbers and Dimensions by Size

LEGEND	N/A	A	T	G	H	J	K
P/N	Nominal Pipe Size (in)	Sch. 40 Pipe ID (mm)	Sheet Metal Thickness (mm)	Flange OD (mm)	No. of slots in Bolt Circle	Bolt Circle Dia. (mm)	Bolt Circle Slot Width (mm)
109194	1.5	40.89	0.6	127	4	98.4	15.9
109195	2	52.50	0.8	152	4	120.7	19.1
109196	2.5	62.71	1.0	178	4	139.7	19.1
109197	3	77.93	1.2	191	4	152.4	19.1
109198	4	102.26	1.5	229	8	190.5	19.1
109199	6	154.05	2.3	279	8	241.3	22.2
109200	8	202.72	3.0	343	8	298.5	22.2
109201	10	254.51	4.0	406	12	362.0	25.4
109202	12	303.23	4.5	483	12	476.3	28.6
109203	14	333.40	5.0	533	12	476.3	28.6
109204	16	381.00	6.0	597	16	539.8	28.6
109205	18	428.65	6.0	635	16	577.9	31.8
109206	20	477.82	7.0	699	20	635.0	31.8

Figure 2: Bolt Hole Layouts by Size

